

PRODOTTI / RICAMBI
PRODUCTS / SPARE PARTS
PRODUITS / PIECES DETACHEES
PRODUKTE / ERSATZTEILE
PRODUCTOS / REPUESTOS

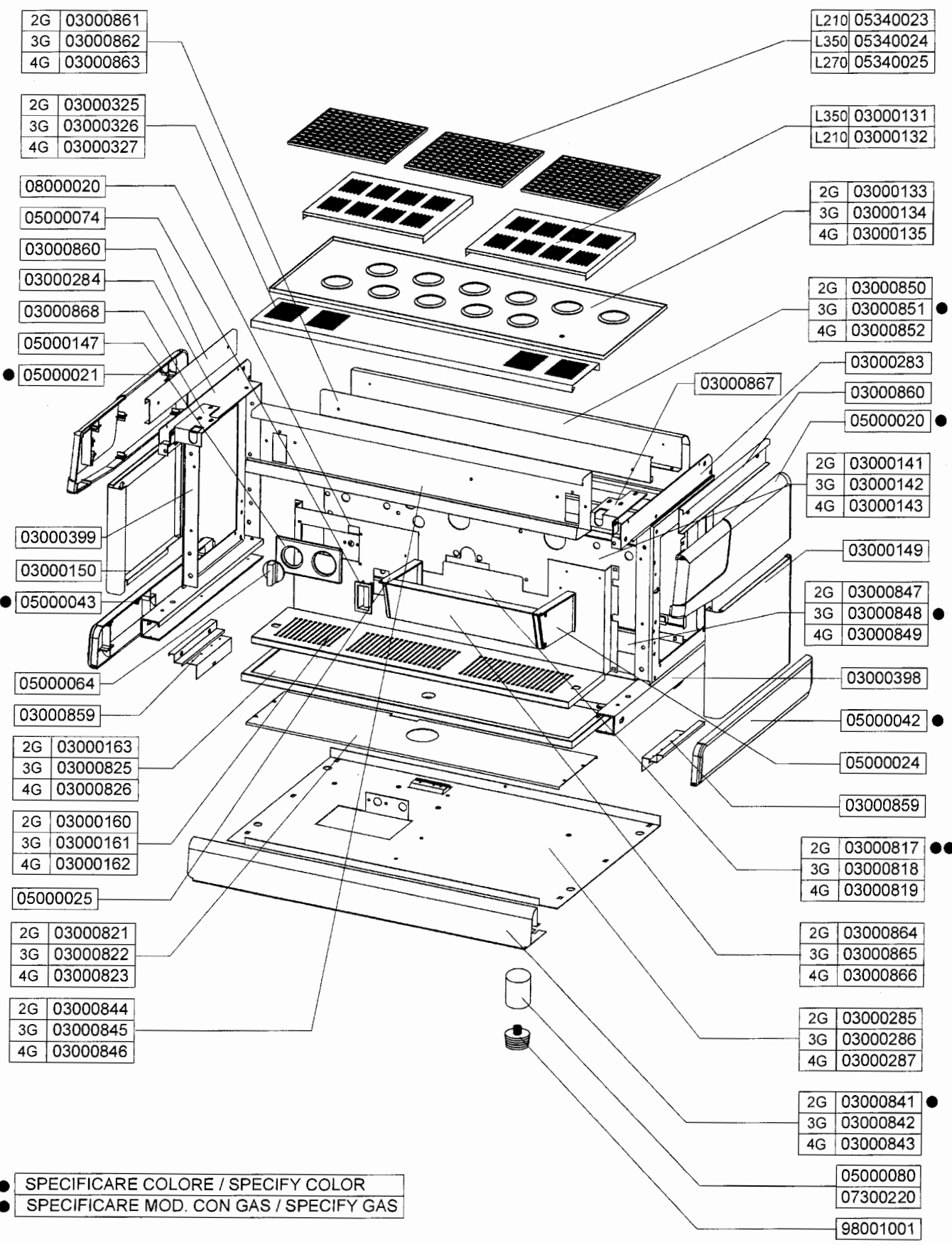
Program Vip

2



nuova simonelli

CARENA PROGRAM VIP CABINET PROGRAM VIP



2G	03000861
3G	03000862
4G	03000863

2G	03000325
3G	03000326
4G	03000327

08000020

05000074

03000860

03000284

03000868

05000147

● 05000021

03000399

03000150

● 05000043

05000064

03000859

2G	03000163
3G	03000825
4G	03000826

2G	03000160
3G	03000161
4G	03000162

05000025

2G	03000821
3G	03000822
4G	03000823

2G	03000844
3G	03000845
4G	03000846

L210	05340023
L350	05340024
L270	05340025

L350	03000131
L210	03000132

2G	03000133
3G	03000134
4G	03000135

2G	03000850
3G	03000851
4G	03000852

03000283

03000860

05000020 ●

2G	03000141
3G	03000142
4G	03000143

03000149

2G	03000847
3G	03000848
4G	03000849

03000398

05000042 ●

05000024

03000859

2G	03000817
3G	03000818
4G	03000819

2G	03000864
3G	03000865
4G	03000866

2G	03000285
3G	03000286
4G	03000287

2G	03000841
3G	03000842
4G	03000843

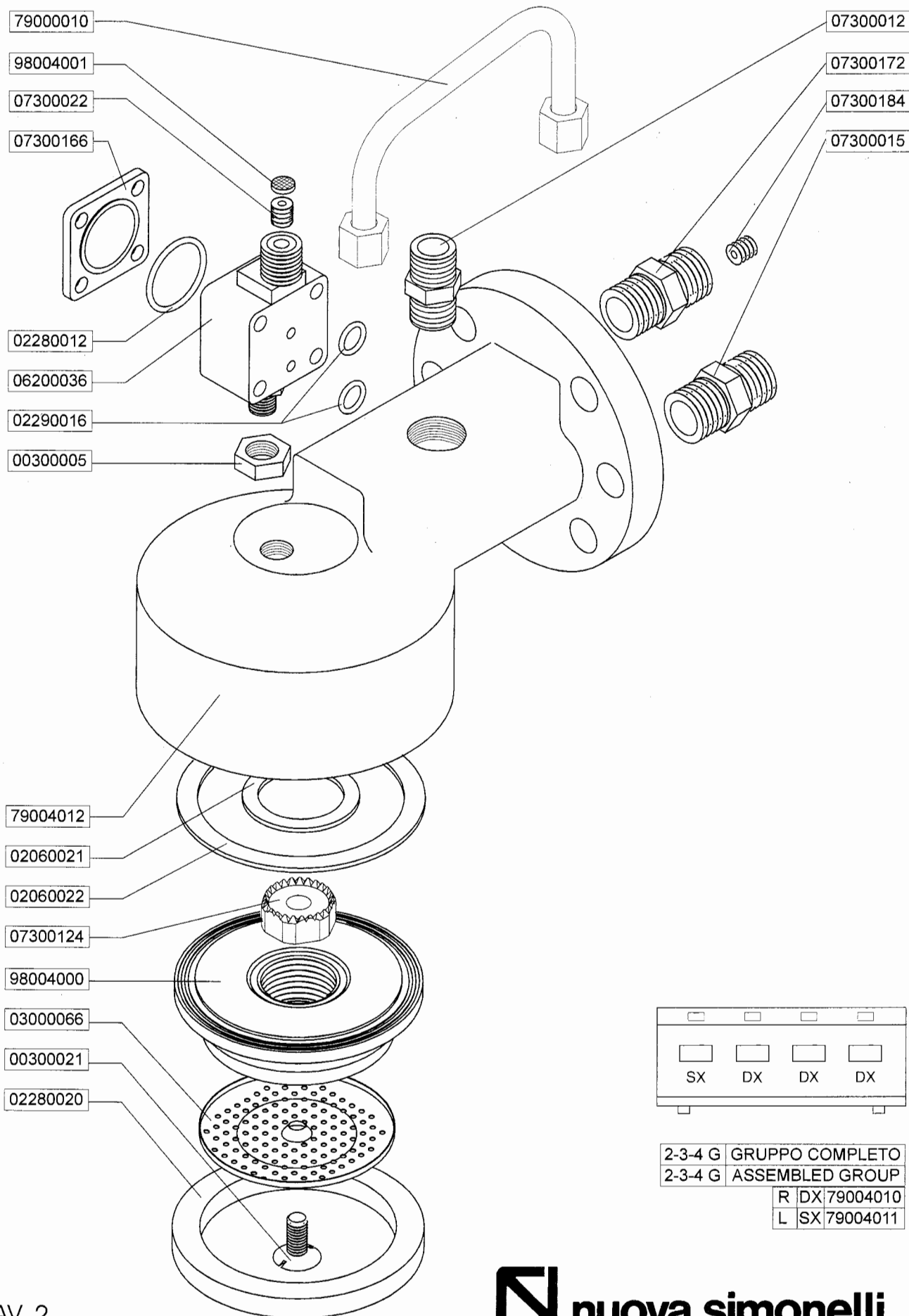
05000080

07300220

98001001

● SPECIFICARE COLORE / SPECIFY COLOR
●● SPECIFICARE MOD. CON GAS / SPECIFY GAS

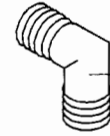
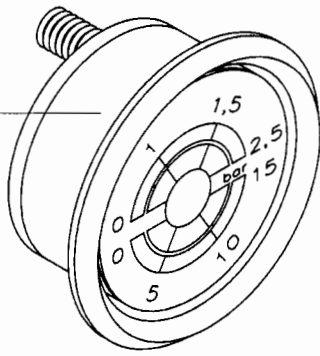
GRUPPO EROGATORE COMPLETO GRUPPI 2 - 3 - 4
COMPLETE POURING UNIT GROUPS 2 - 3 - 4



PARTI IDRAULICHE
HYDRAULIC GROUP

MANOMETRO
GAUGE

09100003



07300068



05000063

07300053

VALVOLA SICUREZZA
SAFETY VALVE 98013001

VALVOLA SICUREZZA TUV
SAFETY VALVE TUV 01000028

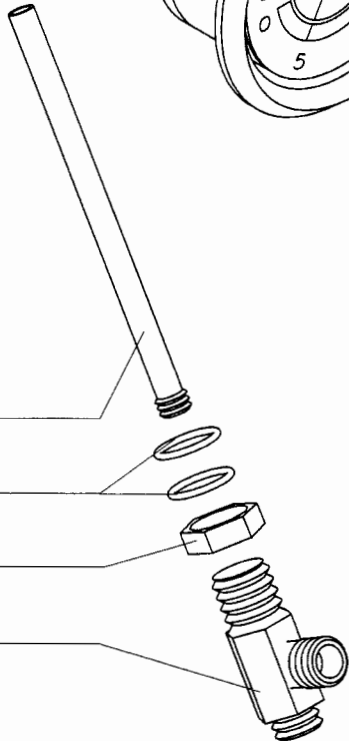
VALVOLA SICUREZZA ISPESL
SAFETY VALVE ISPESL 98013000

75030068

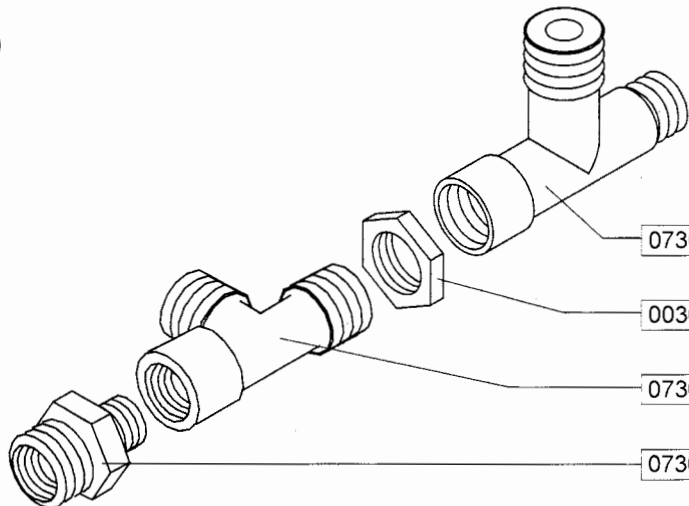
02280011

00300032

07300213



SCAMBIATORE COMPLETO
COMPLETE HEAT EXCHANGER 79030030



07300116

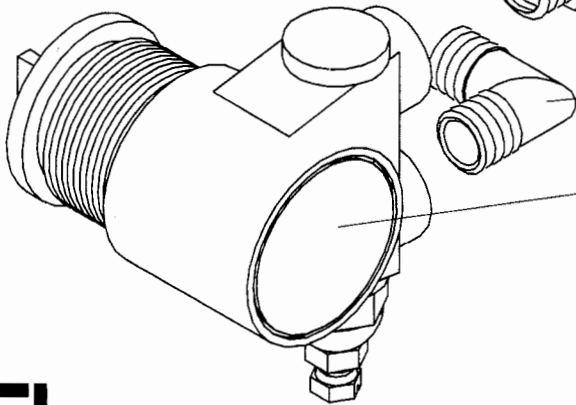
00300002

07300116

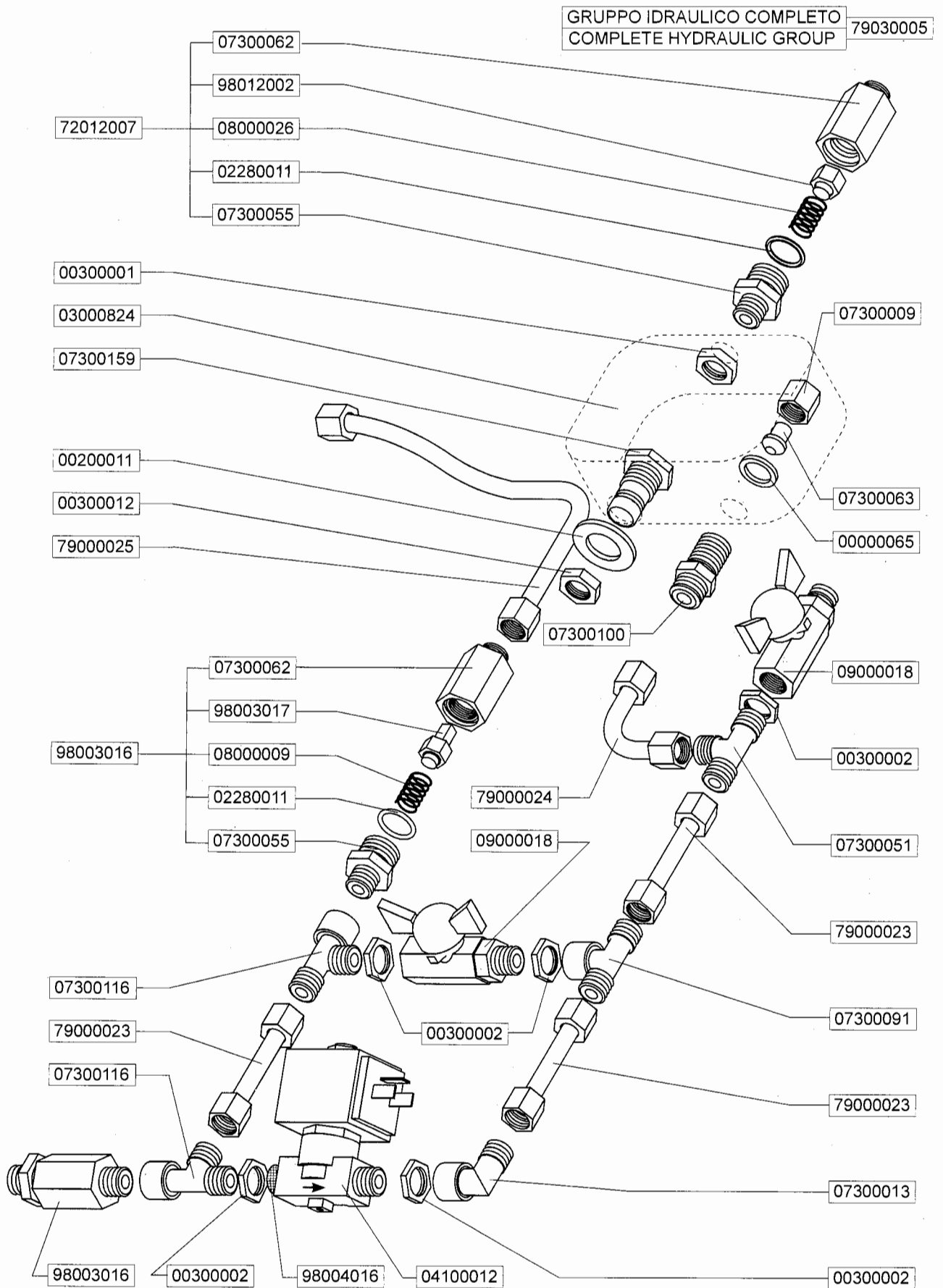
07300017

1 G	07300015
2-3-4G	07300068

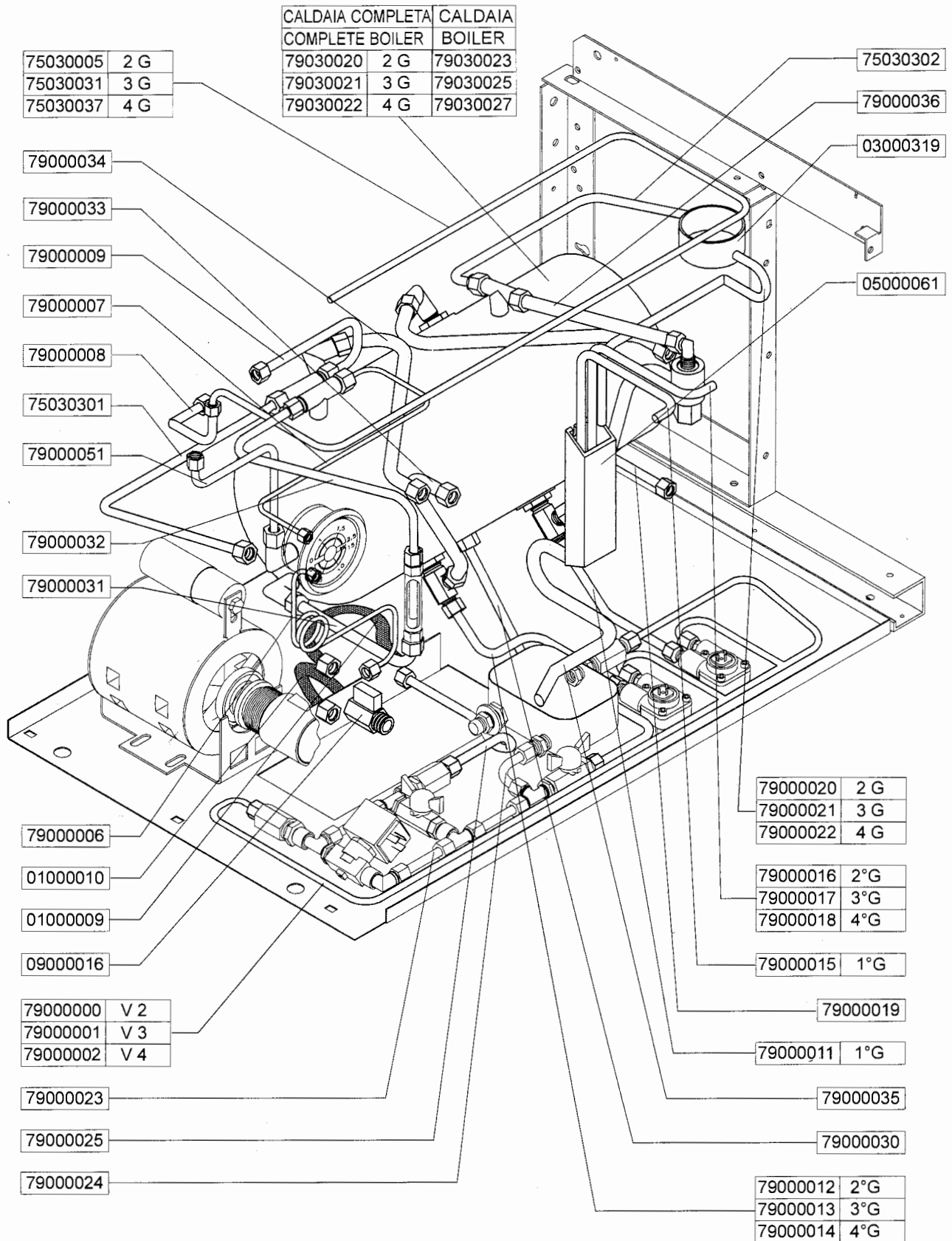
2 G	01300005
3-4 G	01300006



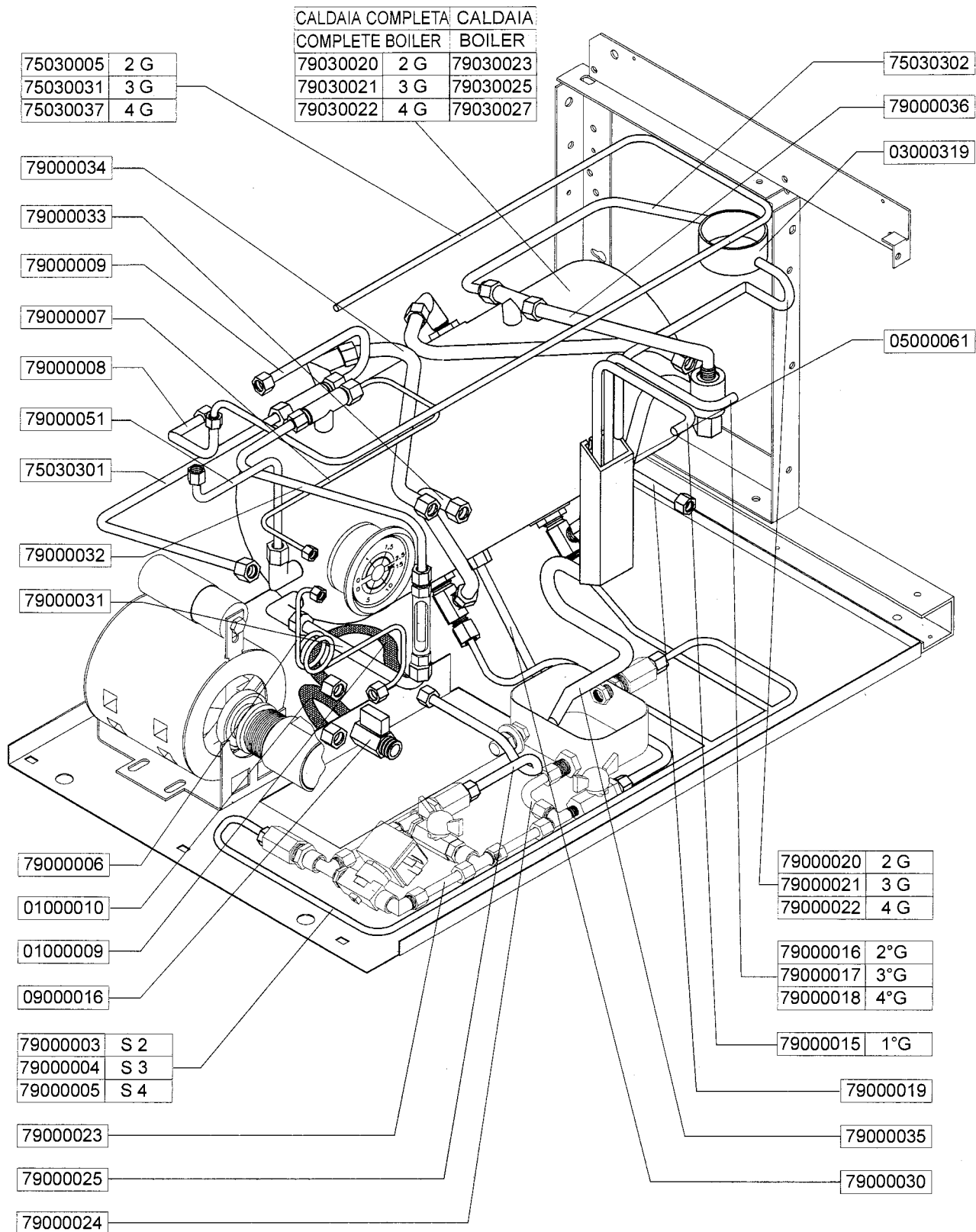
GRUPPO IDRAULICO GRUPPI 2 - 3 - 4 HYDRAULIC GROUP GROUPS 2 - 3 - 4



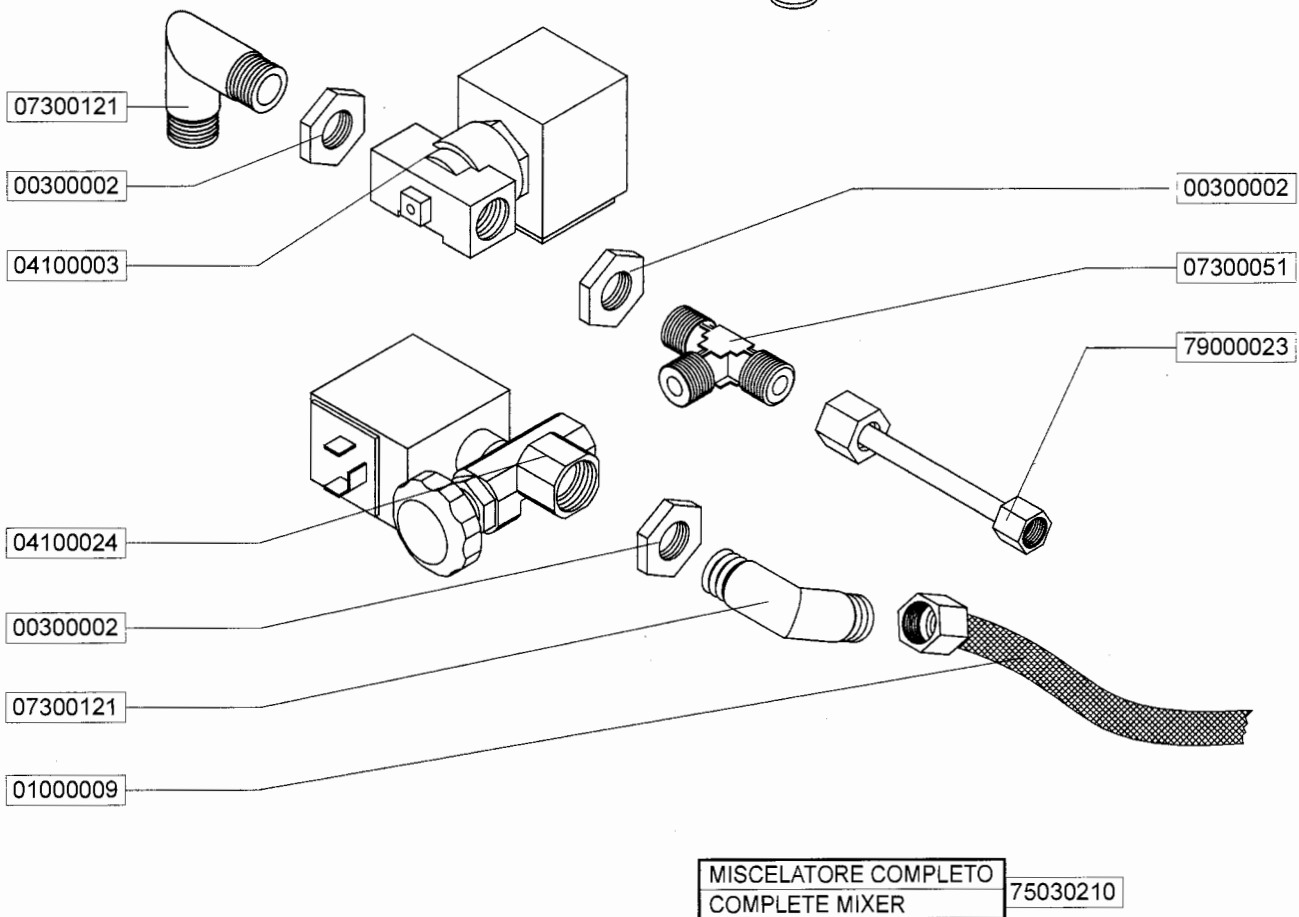
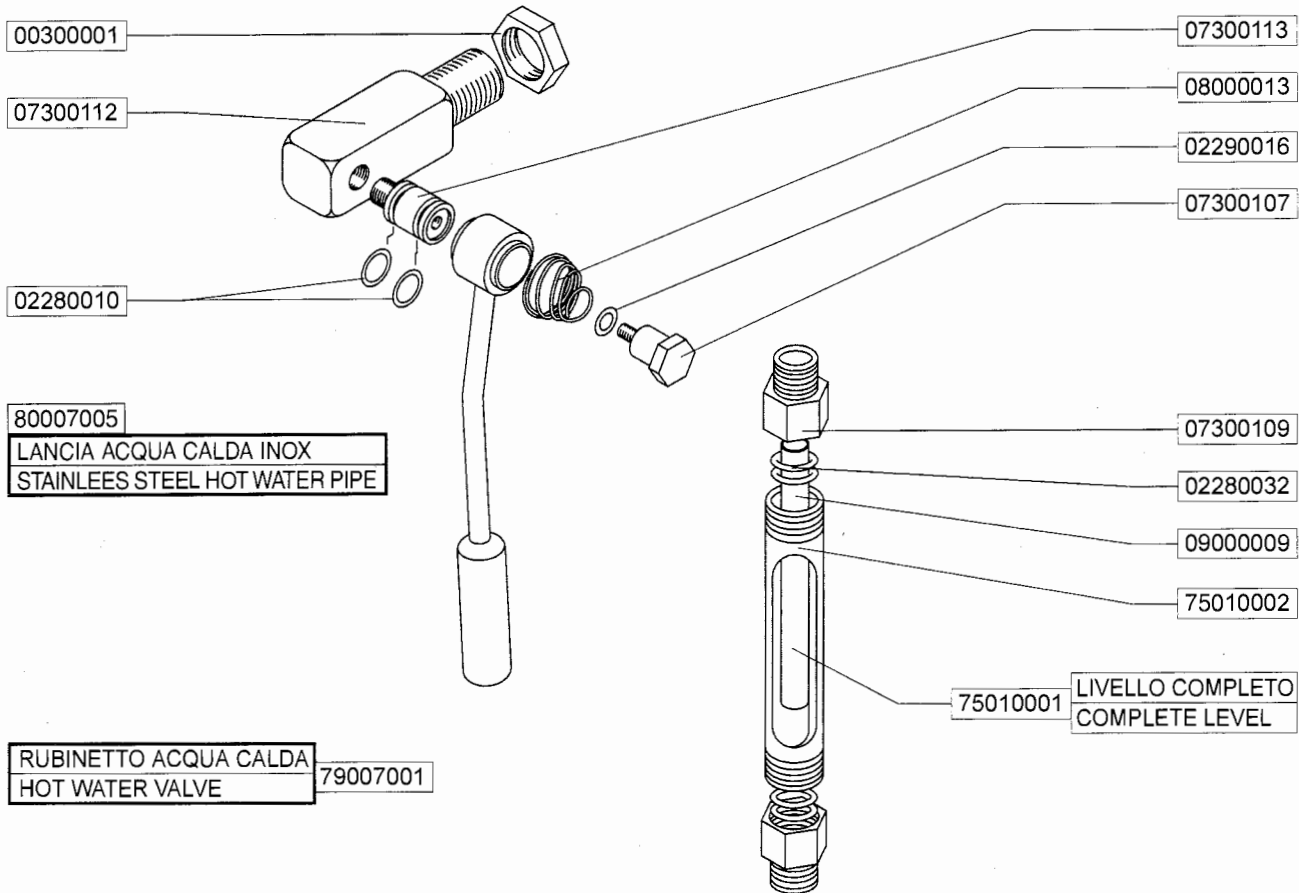
PARTI IDRAULICHE, TUBI PLUS GRUPPI 2 - 3 - 4
HYDRAULIC PARTS, TUBES PLUS GROUPS 2 - 3 - 4



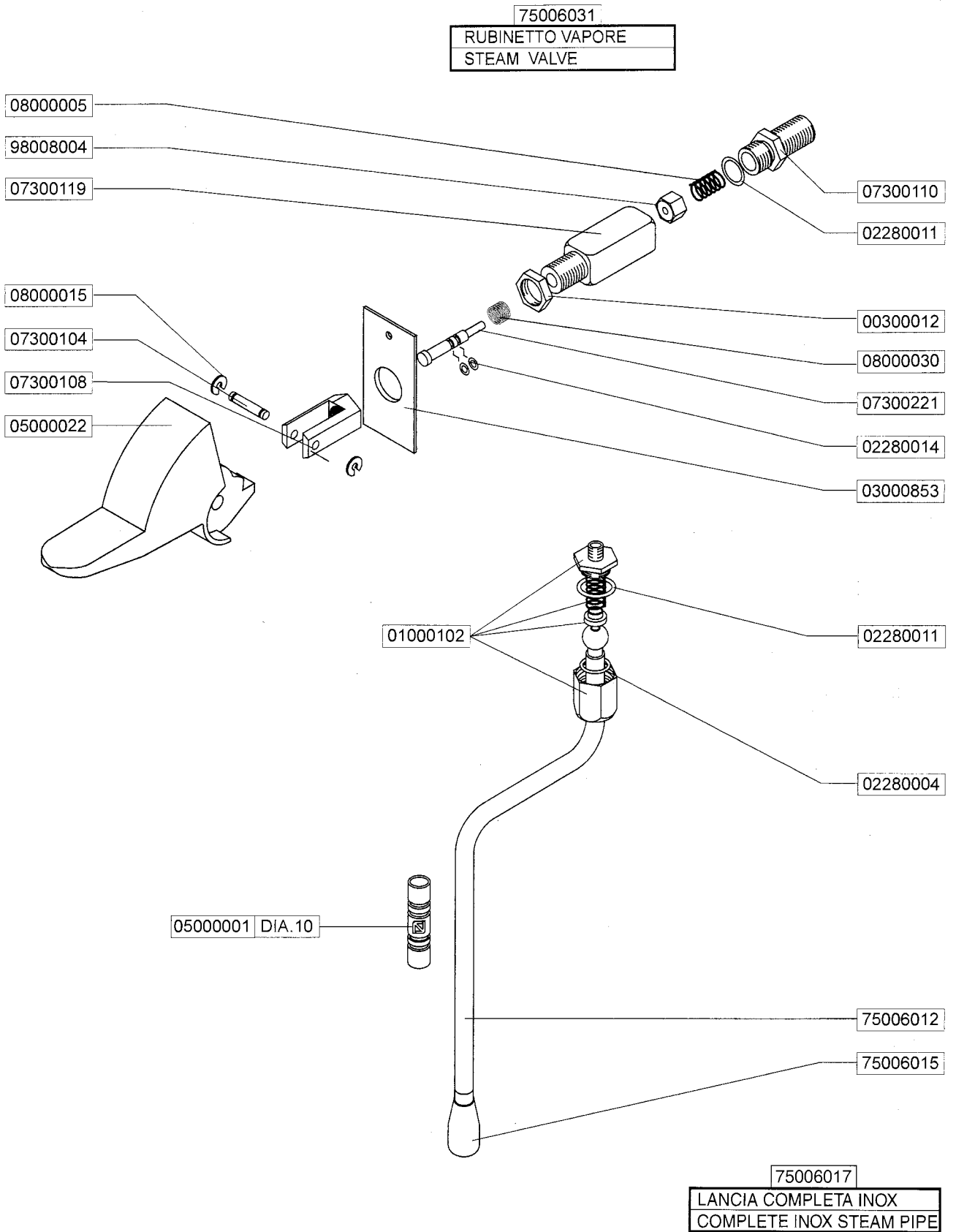
PARTI IDRAULICHE, TUBI ESSE GRUPPI 2 - 3 - 4
HYDRAULIC PARTS, TUBES ESSE GROUPS 2 - 3 - 4



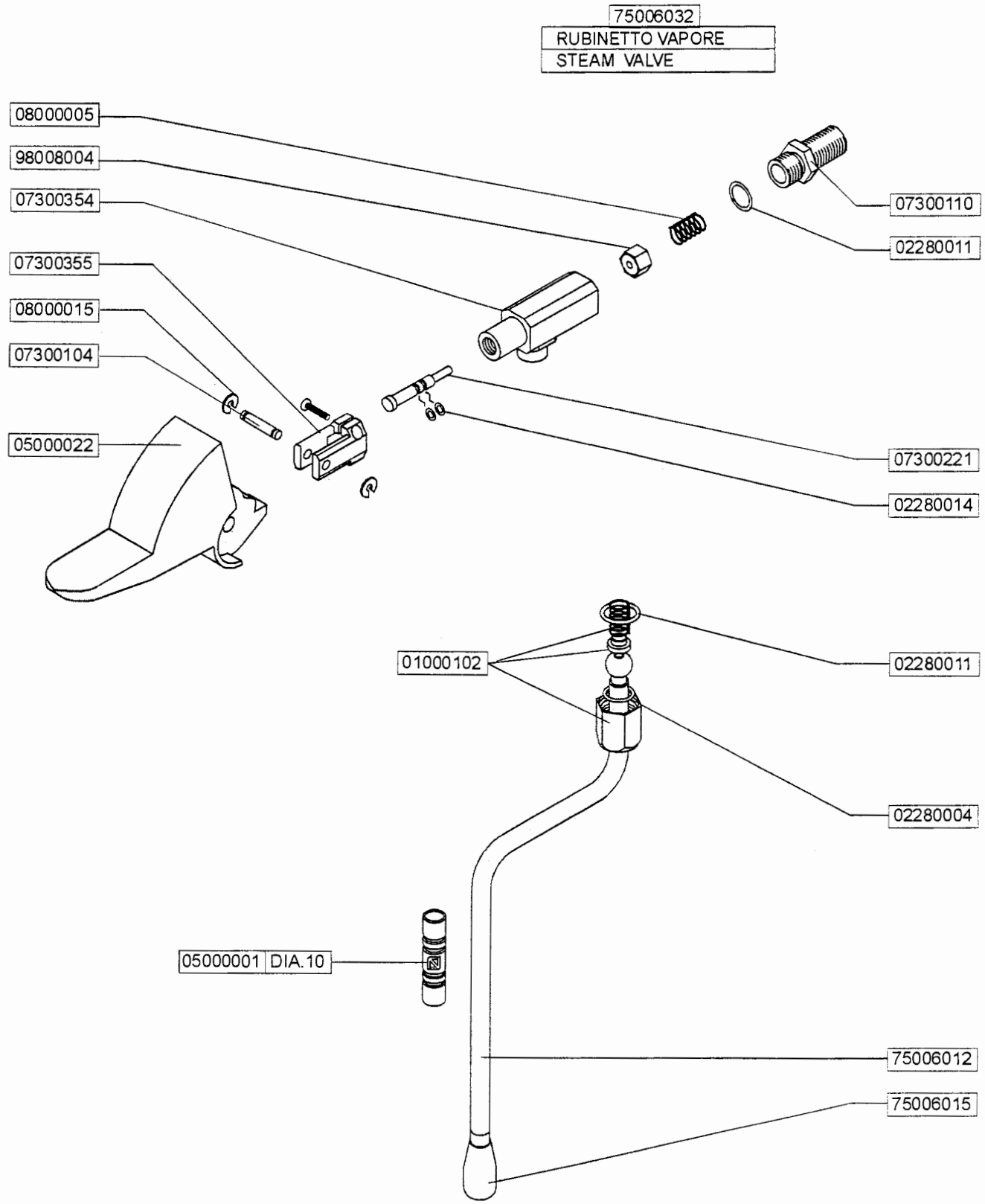
RUBINETTO ACQUA CALDA, LIVELLO CALDAIA
HOT WATER VALVE, WATER LEVEL



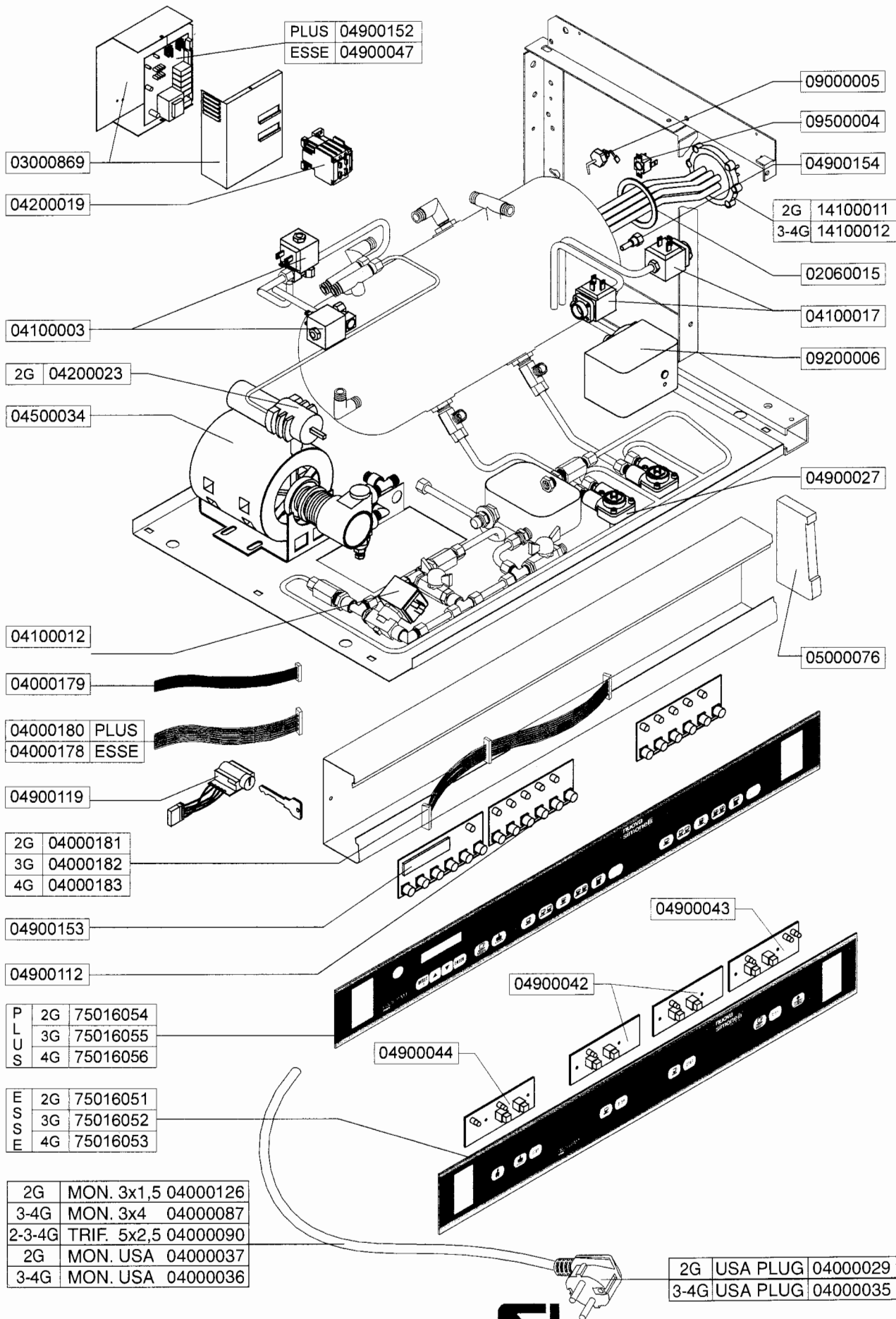
RUBINETTO VAPORE STEAM VALVE



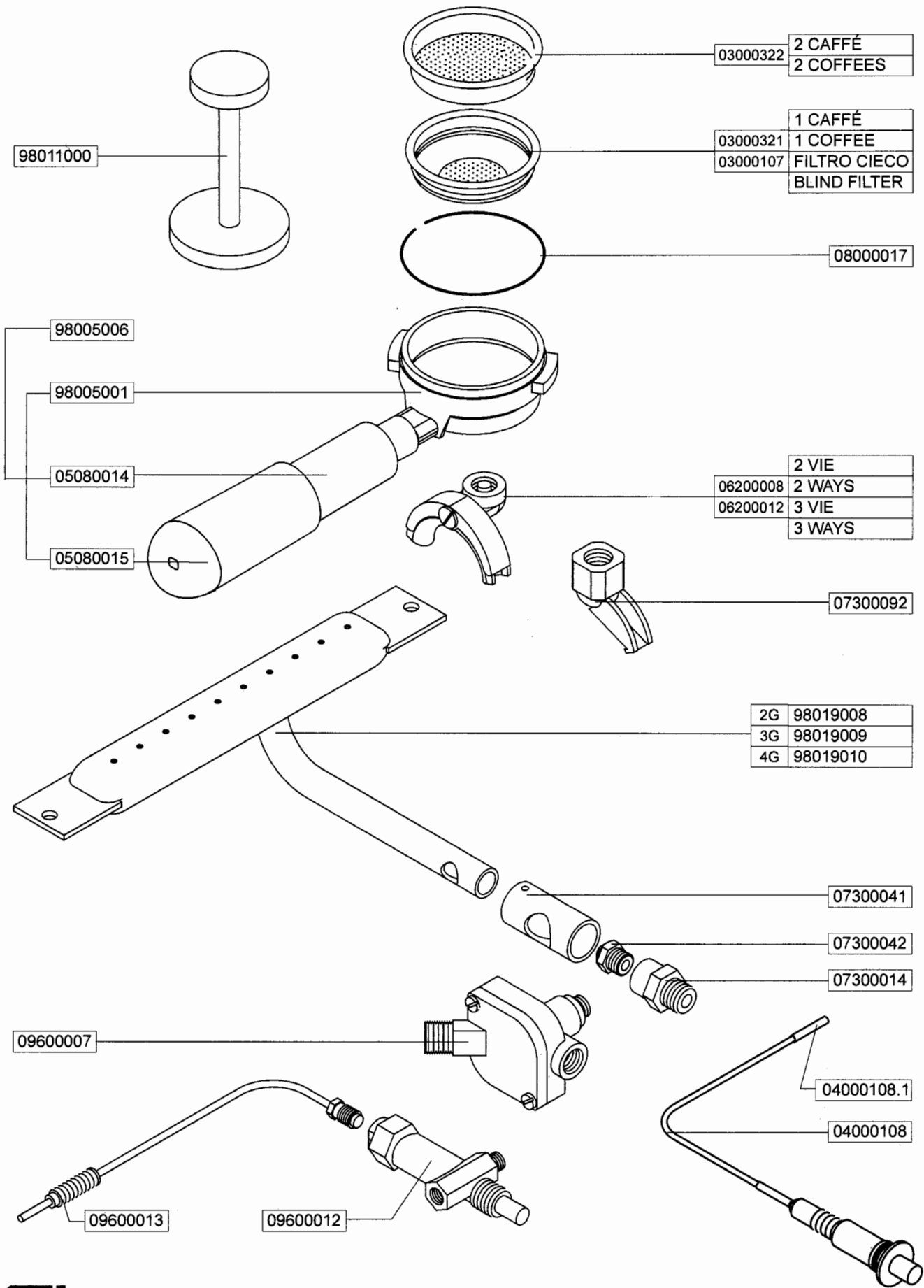
RUBINETTO VAPORE (installato da settembre 1999)
STEAM VALVE (installed since september 1999)



PARTI ELETTRICHE GRUPPI 2 - 3 - 4 ELECTRIC PARTS GROUPS 2 - 3 - 4



PORTAFILTRO E FILTRO, APPLICAZIONE GAS
FILTERMOLDER, FILTER, GAS BURNER



CODICE	DESCRIZIONE	DESCRIPTION
00000065	RONDELLA OT 1/4 "	WASHER BRASS 1/4"
00200011	RONDELLA ZINC. M16 17x30x3	WASHER ZINC M16 17X30X3
00300001	DADO OT 1/4 " GAS SPESS. 5	NUT- BRASS 1/4" 5mm
00300002	DADO OT 1/4" SPESS. 3	NUT- BRASS 1/4" 3mm
00300005	DADO OT 1/8" GAS	NUT- BRASS 1/8"
00300012	DADO OT 3/8" GAS SPESS. 6	NUT- BRASS 3/8" 6mm
00300021	VITE INOX M6x16 TSP TC DIN963	SCREW INOX M6X16 TSP TC DIN963
00300032	DADO 1/2 " GAS ES.24	NUT- BRASS 1/2"
01000009	TUBO FLESS. INOX 3/8"-F.F. L. 250	FLEX HOSE INOX 3/8"-F.F. L 250
01000010	TUBO FLESS. INOX 1/4"-F.F. L. 300	FLEX HOSE INOX 1/4"-F.F. L. 300
01000028	VALVOLA SICUREZZA T.U.V.	SAFETY VALVE T.U.V.
01000102	ASSIEME SNODO PER LANCIA INOX	UPPER ASSEMBLY INOX STEAM ARM
01300005	POMPANTE VOLUMETRICO	VOLUMETRIC PUMP { SPECIFY SIZE }
02060015	GUARNIZIONE PTFE 067x054x2	TEFLON GASKET 67X54X2- HEATING ELEMENT
02060021	GUARNIZIONE PTFE 33,2x24,2x1,5	TEFLON GASKET 33.2X24.2X1.5
02060022	GUARNIZIONE PTFE 72,5x61,5x1,5	TEFLON GASKET 72.5X61.5X1.5
02280004	OR 115 SNODO LANCIA SNOD.	O-RING 115- SWIVEL STEAM ARM
02280010	GUARNIZIONE OR R7 D. 12 EP 851	O-RING R7 D. 12 EP 851
02280011	GUARNIZIONE OR R11 D. 19 EP 851	O-RING R11 D. 19 EP 851
02280012	GUARNIZIONE OR 2093 D. 27 EP 851	O-RING 2093 D. 27 EP 851
02280014	GUARNIZIONE OR D. 7 AN2/OR102 SILIC.	O-RING D. 7 AN2/OR102 SILICON
02280020	GUARNIZIONE SOTTOCOPPA 073x058x7	GASKET 73X58X7- GROUP "SOTTOCOPPA"
02280032	GUARNIZIONE OR 114 EP 851 V. LIV.	O-RING 114 EP 851 WATER LEVEL
02290016	GUARNIZIONE OR D. 9,5 R5 SILICONE R.	O-RING D. 9.5 R5 SILICON
03000066	DOCCIA INOX 056x05,5x6	SHOWER SCREEN INOX 56X5.5X6
03000107	FILTRO CIECO	BLIND FILTER
03000131	RETINA RACC. CONDENSA L. 350	CONDENSATION GRILL L. 350
03000132	RETINA RACC. CONDENSA L. 210	CONDENSATION GRILL L. 210
03000133	PIATTO RACC. CONDENSA PROGRAM/MAC 2	CONDENSATION TRAY PROGRAM/MAC 2
03000134	PIATTO RACC. CONDENSA PROGRAM/MAC 3	CONDENSATION TRAY PROGRAM/MAC 3
03000135	PIATTO RACC. CONDENSA PROGRAM/MAC 4	CONDENSATION TRAY PROGRAM/MAC 4
03000141	PARETE PORTA GRUPPI PROGRAM/MAC 2	FRAME- GROUP PLATE PROGRAM/MAC 2
03000142	PARETE PORTA GRUPPI PROGRAM/MAC 3	FRAME- GROUP PLATE PROGRAM/MAC 3
03000143	PARETE PORTA GRUPPI PROGRAM/MAC 4	FRAME- GROUP PLATE PROGRAM/MAC 4
03000149	CARENA DX INOX PROGRAM	PANEL INOX, RIGHT SIDE PROGRAM
03000150	CARENA SX INOX PROGRAM	PANEL INOX, LEFT SIDE PROGRAM
03000160	RETINA PIANO LAVORO PROGRAM/MAC 2	WORK GRILL PROGRAM/MAC 2
03000161	RETINA PIANO LAVORO PROGRAM/MAC 3	WORK GRILL PROGRAM/MAC 3
03000162	RETINA PIANO LAVORO PROGRAM/MAC 4	WORK GRILL PROGRAM/MAC 4
03000163	PIATTO RACCOGLI ACQUA PROGRAM/MAC 2	DRAIN TRAY PROGRAM/MAC 2
03000285	BASAMENTO MACCH. MAC/PROGRAM 2GR.	BASE PLATE MAC/PROGRAM 2GR
03000286	BASAMENTO MACCH. MAC/PROGRAM 3GR.	BASE PLATE MAC/PROGRAM 3GR
03000287	BASAMENTO MACCH. MAC/PROGRAM 4GR.	BASE PLATE MAC/PROGRAM 4GR
03000319	VASCHETTA RACCOGLI CONDENSA	CONDENSATION DRAIN CUP
03000321	FILTRO 1 CAFFÈ H=21,5 MOD. 90	1-CUP FILTER H=21.5 MOD. 90
03000322	FILTRO 2 CAFFÈ H=21,5 MOD. 90	2-CUP FILTER H=21.5 MOD. 90
03000325	COPRIGRUPPO SUPERIORE PROGRAM 2GR.	COVER PLATE PROGRAM 2GR
03000326	COPRIGRUPPO SUPERIORE PROGRAM 3GR.	COVER PLATE PROGRAM 3GR
03000327	COPRIGRUPPO SUPERIORE PROGRAM 4GR.	COVER PLATE PROGRAM 4GR
03000817	PARETE FRONTALE MAC96/PROGRAM 97 2GR.	SPLASH PLATE MAC96/PROGRAM 97 2GR
03000818	PARETE FRONTALE MAC96/PROGRAM 97 3GR.	SPLASH PLATE MAC96/PROGRAM 97 3GR
03000819	PARETE FRONTALE MAC96/PROGRAM 97 4GR.	SPLASH PLATE MAC96/PROGRAM 97 4GR
03000821	CHIUSURA DI SICUREZZA 2GR.	SAFETY COVER PLATE 2GR
03000822	CHIUSURA DI SICUREZZA 3GR.	SAFETY COVER PLATE 3GR
03000823	CHIUSURA DI SICUREZZA 4GR.	SAFETY COVER PLATE 4GR
03000824	VASCHETTA SCARICO MAC96/PROGRAM 97	DRAIN CUP MAC96/PROGRAM 97
03000825	PIATTO RACCOGLI ACQUA MAC96/PROG. 97 3GR	DRAIN TRAY MAC96/PROGRAM 97 3GR
03000826	PIATTO RACCOGLI ACQUA MAC96/PROG. 97 4GR	DRAIN TRAY MAC96/PROGRAM 97 4GR
03000398	FIANCO DX MAC 96/PROGRAM 97 ASSEMBLATO	FRAME RIGHT SIDE ASSEMBLY MAC96/PRO97
03000399	FIANCO SX MAC 96/PROGRAM 97 ASSEMBLATO	FRAME LEFT SIDE ASSEMBLY MAC96/PRO97
03000841	PARETE INFER. FRONT. PROGRAM 97 2GR.	PANEL- LOWER FRONT PROGRAM 97 2GR
03000842	PARETE INFER. FRONT. PROGRAM 97 3GR.	PANEL- LOWER FRONT PROGRAM 97 3GR
03000843	PARETE INFER. FRONT. PROGRAM 97 4GR.	PANEL- LOWER FRONT PROGRAM 97 4GR

CODICE	DESCRIZIONE	DESCRIPTION
03000844	INVOLUCRO COMANDI PROGRAM 97 2GR.	HOUSING- CONTROL PANEL PROG. 97 2GR
03000845	INVOLUCRO COMANDI PROGRAM 97 3GR.	HOUSING- CONTROL PANEL PROG. 97 3GR
03000846	INVOLUCRO COMANDI PROGRAM 97 4GR.	HOUSING- CONTROL PANEL PROG. 97 4GR
03000847	PARETE POST. INFER. PROGRAM 97 2GR.	PANEL- LOWER BACK PROGRAM 97 2GR
03000848	PARETE POST. INFER. PROGRAM 97 3GR.	PANEL- LOWER BACK PROGRAM 97 3GR
03000849	PARETE POST. INFER. PROGRAM 97 4GR.	PANEL- LOWER BACK PROGRAM 97 4GR
03000850	PARETE POST. SUPER. PROGRAM 97 2GR.	PANEL- UPPER BACK PROGRAM 97 2GR
03000851	PARETE POST. SUPER. PROGRAM 97 3GR.	PANEL- UPPER BACK PROGRAM 97 3GR
03000852	PARETE POST. SUPER. PROGRAM 97 4GR.	PANEL- UPPER BACK PROGRAM 97 4GR
03000853	PIASTRA CHIUSURA INV. COM. PROGRAM 97	VALVE MOUNTING PLATE PROGRAM 97
03000859	SUPPORTO PIANO LAVORO PROGRAM 97	DRAIN TRAY SUPPORT PROGRAM 97
03000860	MOSTRINA SUP. DX/SX PROGRAM 97	TRIM PANEL INSIDE LEFT/RIGHT PROG. 97
03000861	MOSTRINA SUP. RETRO PROGRAM 97 2GR.	TRIM PANEL INSIDE BACK PROGRAM97 2GR
03000862	MOSTRINA SUP. RETRO PROGRAM 97 3GR.	TRIM PANEL INSIDE BACK PROGRAM97 3GR
03000863	MOSTRINA SUP. RETRO PROGRAM 97 4GR.	TRIM PANEL INSIDE BACK PROGRAM97 4GR
03000864	COPROGRAMIGRUPPI PROGRAM 97 2GR.	GROUP COVER FRONT PROGRAM 97 2GR
03000865	COPROGRAMIGRUPPI PROGRAM 97 3GR.	GROUP COVER FRONT PROGRAM 97 3GR
03000866	COPROGRAMIGRUPPI PROGRAM 97 4GR.	GROUP COVER FRONT PROGRAM 97 4GR
03000867	SUPPORTO RUBINETTO DX PROGRAM 97	VALVE SUPPORT RIGHT PROGRAM 97
03000868	SUPPORTO RUBINETTO SX PROGRAM 97	VALVE SUPPORT LEFT PROGRAM 97
03000869	CONTENITORE SCHEDA ELETT. PROGRAM 97	ELECTRONICS CABINET (ONLY) PROG. 97
04000029	SPINA 20A 250V 5466X	PLUG 20A 250V 5466X USA
04000037	C. ELETT. 3/C #14 AWG (41W) SO	ELECTRICAL CORD 3 WIRE #14 AWG SO
04000087	CAVO ELETTRICO FROR 3x4	ELECTRICAL CORD 3X4mm
04000090	CAVO ELETTRICO FROR 5x2,5	ELECTRICAL CORD 5X2.5mm
04000108	ACCENSIONE PIEZOELETT. COMP. DI CAVETTO	GAS IGNITOR
04000108.1	ELETTRODO DI ACCENSIONE PER PIEZOELETT.	GAS IGNITOR ELECTRODE
04000126	CAVO ELETT. 3x1,5 MT 2 EUROPA	ELECTRICAL CORD 3X1.5 mm EUROPE
04000178	CABL. CENTR./PULS. PROGRAM 97 S 3/4GR.	DATA CABLE ELEC./DOSER SEMI 2/3/4GR
04000179	CAVO 10 VIE DISPLAY/CENTR.	DATA CABLE 10 WIRE ELEC./DISPLAY
04000180	CAVO 20 VIE DISPLAY/CENTR.	DATA CABLE 20 WIRE ELEC./DISPLAY
04000181	CAVO 20 VIE PULS. PLUS97 2GR.	DATA CABLE 20 WIRE DISPLAY/DOSER 2GR
04000182	CAVO 20 VIE PULS. PLUS97 3GR.	DATA CABLE 20 WIRE DISPLAY/DOSER 3GR
04000183	CAVO 20 VIE PULS. PLUS97 4GR.	DATA CABLE 20 WIRE DISPLAY/DOSER 4GR
04100003	ELETTROV. 2 VIE 220V 1/4"	ELECTROVALVE 2WAY V220 1/4"
04100012	ELETTROV. 2 VIE 230V 1/4" AL	ELECTROVALVE 2WAY V220 1/4" FILL VALVE
04100017	ELETTROV. 3 VIE COMPL. 220V/50	ELECTROVALVE 3WAY V220 1/4"
04100024	ELETTROV. 1/4" 2 VIE A 90GRADI CON REGOLAT.	ELECTROVALVE V220 1/4" WITH REGULATOR
04200019	TELERUTTORE 25A	ELECTRONIC RELAY 25 AMP
04200023	COMMUTATORE ELETT. 4x16A	MAIN POWER SWITCH 4X16 AMP
04500034	MOTORE ELETTRICO 230V 50/60	ELECTRIC MOTER V220 50/60 Hz MONO
04900027	DOSATORE VOLUMETRICO	VOLUMETRIC TURBINE (FLOWMETER)
04900042	CIRCUITO ELETT. CAFFÈ PROGRAM/S	CIRCUIT PANEL- DOSER BOARD PROGRAM/S
04900043	CIRCUITO ELETT. SCALDAT. PROGRAM/S	CIRCUIT PANEL- DOSER /AUTOFILL PROGRAM/S
04900044	CIRCUITO ELETT. A. CALDA. PROGRAM/S	CIRCUIT PANEL- HOT WATER/WARMER PROGRAM/S
04900047	CENTRALINA ELETT. PROGRAM/S 4GR.	CONTROL ELECTRONICS- PROGRAM/S 3/4GR
04900112	SCHEDA EROGAZIONE "PROGRAM 97 PLUS"	CIRCUIT PANEL- DOSER BOARD PROGRAM 97
04900119	BLOCCHETTO CHIAVI COMPLETO DI 2 CHIAVI	ELECT. LOCK ASSEMBLY- MASTER/PROG97- 2 KEYS
04900152	CENTRALINA ELETT. PROGRAM 97 4GR.	CONTROL ELECTRONICS- PROGRAM 97 2/3/4GR
04900153	CIRCUITO LCD DISPLAY PROGRAM/97	CIRCUIT PANEL- LCD DISPLAY PROGRAM 97
04900154	SONDA TEMPERATURA NTC PROGRAM/VIP	SENSOR- TEMPERATURE PROBE PROGRAM 97
05000001	GOMMINO PROGRAMOTEZIONE LANCIA D. 10	STEAM PIPE RUBBER GRIP DIA. 10mm
05000020	FIANCO SUPER. DX PROGRAMO97 ABS V/O	PANEL- TOP RIGHT SIDE PROGRAM 97
05000021	FIANCO SUPER. SX PROGRAMO97 ABS V/O	PANEL- TOP LEFT SIDE PROGRAM 97
05000022	MANOPOLA RUBIN. VAP. PROGRAMOGRAM 97	STEAM VALVE LEVER- PROGRAM 97
05000024	FIANCO DX COPRIGRUPPO PROGRAM 97	GROUP COVER- RIGHT SIDE PROGRAM 97
05000025	FIANCO SX COPRIGRUPPO PROGRAM 97	GROUP COVER- LEFT SIDE PROGRAM 97
05000042	FIANCATA INF. DX PROGRAM	PANEL- LOWER RIGHT SIDE
05000043	FIANCATA INF. SX PROGRAM	PANEL- LOWER LEFT SIDE
05000061	POZZETTO SCARICO GRUPPI PROGRAM	DISCHARGE TUBE DRAIN- PLASTIC MAC96/PROG97
05000063	COPROGRAMI VALVOLA SICUREZZA	SAFETY VALVE COVER
05000064	MANOPOLA INTERRUTTORE NS	KNOB- MAIN POWER SWITCH
05000074	MOSTRINA COPRILIVELLO	TRIM COVER- WATER LEVEL MAC96/PROG97

PROGRAMMI	CODICE	DESCRIZIONE	DESCRIPTION
	05000076	TAPPO INVOLUCRO COMANDI PROGRAM 97	MOISTURE BARRIER- FRONT CONTROL PANEL
	05000147	MOSTRINA MANOM./INTERR. MAC 96	TRIM COVER- SWITCH AND GAUGE MAC96/PROG97
	05080014	MANOPOLA PORTAFILTRO 96	FILTER HOLDER HANDLE 96'
	05080015	TAPPO MANOPOLA PORTAFILTRO 96	FILTER HOLDER HANDLE CAP 96'
	05340023	GRIGLIA NYLON 178x210	GRILL NYLON 178X210
	05340024	GRIGLIA NYLON 178x350	GRILL NYLON 178X350
	05340025	GRIGLIA NYLON 178x270	GRILL NYLON 178X270
	06200008	BECCO 2 GETTI COMPLETO	POUR SPOUT- 2-WAY COMPLETE
	06200012	BECCO 3 VIE COMPLETO	POUR SPOUT- 3-WAY COMPLETE
	06200036	POZZETTO PORTA ELETTROVALVOLA	SUPPORT BLOCK- GROUP ELECTROVALVE
	07300009	DADO RACCORDO 1/4" GAS	NUT- BRASS 1/4" GAS THREAD
	07300012	RACCORDO 1/4" 1/4" GAS	CONNECTOR M-M 1/4" GAS THREAD
	07300013	RACCORDO L 1/4" M-F CILIN. 458	CONNECTOR-L M-F 1/4"
	07300014	RACCORDO 1/4" PORTA GIGLEUR	CONNECTOR M 1/4" FOR GAS BURNER RESTRICTOR
	07300015	RACCORDO 3/8" 3/8" GAS	CONNECTOR M-M 3/8" GAS THREAD
	07300022	GICLEUR EROGAZIONE M 6x6	FLOW RESTRICTOR M6 HOLE 6mm
	07300041	REGISTRO ARIA BRUC. GAS	AIR INTAKE REGULATOR
	07300042	GICLEUR GAS	GAS FLOW RESTRICTOR
	07300051	RACCORDO T 1/4" CIL M-M-M 464	CONNECTOR-T M-M-M 1/4"
	07300053	CORPO VALVOLA SICUREZZA	VALVE BODY- SAFETY
	07300055	TAPPO PORTAMOLLA 3/8" - 1/4"	CONNECTOR REDUCER 3/8"-1/4" -SPRING STOPPER
	07300062	CORPO VALVOLA NEPLAX-RITEGNO	VALVE BODY- EXPANSION
	07300063	TERMINALE D 11 CHUSO	BRASS PLUG D11
	07300068	RACCORDO L. 3/8" M-M CILIN. 459	CONNECTOR-L M-M 3/8"
	07300091	RACCORDO T M-F-M 1/4"	CONNECTOR-T M-F-M 1/4"
	07300092	BECCO UN GETTO AD ANGOLO	POUR SPOUT- 1 WAY
	07300100	ATTACCO SCARICO 1/4" VAS. SCAR.	CONNECTOR M-M 1/4" - BOILER DRAIN PLUG
	07300104	SPINOTTO RUB. VAPORE PROGRAM.	VALVE LEVER PIN
	07300107	PORTA MOLLA TUBO VAPORE PROGRAM.	RETAINING STUD- PIVOT PIPE
	07300108	FORCELLA PORTA MANOPOLA R. V.	VALVE FORK
	07300109	PREMISTOPPA LIVELLO PROGRAM	CONNECTOR REDUCER F-M 3/8"X1/4" WATER LEVEL
	07300110	TAPPO PORTA MOLLA R. V. PROGRAM.	CONNECTOR M-M 3/8"- MANUAL VALVE SPRING RET.
	07300112	ATTACCO RUB. ACQUA PROGRAM	HOT WATER ARM BLOCK
	07300113	SNODO RUB. VAPORE PROGRAM	PIVOT SHAFT- HOT WATER/STEAM PIPE
	07300116	RACCORDO T 1/4" CIL. M-M-F 465	CONNECTOR-T M-M-F 1/4"
	07300119	CORPO RUBINETTO VAPORE PROGRAM.	VALVE BODY- MANUAL STEAM/WATER VALVE
	07300121	RACCORDO L. 1/4" M-M CIL. 459	CONNECTOR-L M-M 1/4"
	07300124	ROMPIGETTO GR. EROGAZIONE	DISPERSION NUT
	07300159	ATTACCO 3/8 VASCHETTA SCARICO	CONNECTOR M 3/8"- DRAIN CUPTO HOSE
	07300166	FLANGIA CHIUSURA PIASTRINA PORTA ELETTOV.	FLANGE PLATE- GROUP ELECTROVALVE BLOCK
	07300172	RACCORDO 3/8" M- 3/8" M INT. M8	CONNECTOR M-M 3/8" WITH INTERNAL THREAD M8
	07300184	GICLEUR GRUPPO M8 F. 4	FLOW RESTRICTOR M8 HOLE 4mm
	07300213	CORPO SCAMBIAT. CON OR FIL. 1/2" GAS MOD. 95	HEAT EXCHANGE BODY-T 1/2" MAC96/PROG97
	07300221	ASTA INOX RUBINETTO VAP. PROGRAM 97	VALVE SHAFT PIN INOX- PROGRAM 97
	07300292	ATTACCO RUB. PER LANCIA VAPORE SNOD.	CONNECTOR REDUCER INOX- M-M SWIVEL PIPE
	07300294	BUSSOLA SNODO INOX	BUSHING INOX- SWIVEL STEAM PIPE
	07300296	DADO RACC. LANCIA SNOD. INOX	RETAINING NUT INOX- SWIVEL STEAM PIPE
	08000005	MOLLA 6 ST 11,5x8,5x25 RUB. VAPORE	SPRING 6 ST 11.5X8.5X25- STEAM VALVE
	08000009	MOLLA 6,5 ST VALV. RIT. PN 0,7x11,5x24	SPRING 6.5 ST .7X11.5X24- RETAINING VALVE
	08000013	MOLLA TUBO VAPORE PROGRAM	SPRING CONICAL- PIVOT ARM
	08000015	ANELLO SEEGER TIPO RS 5 INOX	SPRING CLIP- INOX RS 5
	08000017	MOLLA BLOCCA FILTRO ACC. INOX	SPRING RETAINER INOX- PORTAFILTER
	08000020	MOLLA A PIASTRA PER MASCHERINA PL 2158	SPEED CLIP PL 2158
	08000026	MOLLA TARATA VALVOLA NEPLAX	SPRING- EXPANSION VALVE
	08000027	MOLLA PER LANCIA SNODATA	SPRING- SWIVEL STEAM ARM
	08000030	MOLLA RICHIAMO RUB. VAP. PROGRAM 97	SPRING- STEAM ARM PROGRAM 97
	09000005	SONDA AUTOLIVELLO COMPLETO	SENSOR- WATER LEVEL COMPLETE
	09000009	VETRO LIVELLO PROGRAM. 112x12x1,5	GLASS TUBE- WATER LEVEL 112X12X1.5
	09000016	RUBINETTO INGRESSO ACQUA 3/8"	VALVE- WATER SHUT OFF 3/8"- INLET LINE
	09000018	RUBINETTO ACQUA INT. 1/4" 30 BAR	VALVE- WATER SHUT OFF 1/4" 30 BAR
	09100003	MANOMETRO DOPPIA SCALA	GAUGE- DOUBLE SCALE STEAM/WATER
	09200006	PRESSOSTATO MACCHINA P302/6	PRESSURESTAT
	09500004	TERMOSTATO RIARMO MANUALE	SAFETY THERMOSTAT MANUAL RESET 125C

CODICE	DESCRIZIONE	DESCRIPTION
09600007	REGOLATORE GAS 9.4.00.00	GAS REGULATOR
09600012	RUBINETTO SICUREZZA GAS	VALVE- GAS PILOT SAFETY
09600013	TERMOCOPPIA 1.701.104 COMPLETA	THERMOCOUPLE COMPLETE
14100011	RESISTENZA 3000W PROGRAM/2 GR.	HEATING ELEMENT 3000W MAC/PROG 2GR
14100012	RESISTENZA 5000W PROGRAM/3-4 GR.	HEATING ELEMENT 5000W MAC/PROG 3&4GR
72012007	VALVOLA NEPLAX COMPLETA	EXPANSION VALVE COMPLETE
75006012	LANCIA VAPORE INOX SNODATA	STEAM NOZZLE- STAINLESS STEEL
75006015	BECCO VAPORE PER LANCIA INOX	STEAM PIPE- STAINLESS STEEL SWIVEL
75006017	LANCIA COMPLETA INOX	COMPLETE INOX STEAM PIPE
75006031	RUBIN. VAP. COM. PROGRAM 97 INOX SNOD.	STEAM VALVE COMPLETE INOX- PROGRAM 97
75010001	LIVELLO COMPLETO	WATER LEVEL COMPLETE
75010002	CORPO LIVELLO	WATER LEVEL BODY ONLY
75016051	PULSANTIERA PROGRAM/VIP ESSE 2GR.	TOUCHPAD PROGRAM/S 97 2GR
75016052	PULSANTIERA PROGRAM/VIP ESSE 3GR.	TOUCHPAD PROGRAM/S 97 3GR
75016053	PULSANTIERA PROGRAM/VIP ESSE 4GR.	TOUCHPAD PROGRAM/S 97 4GR
75016054	PULSANTIERA PROGRAM/VIP PLUS 2GR.	TOUCHPAD PROGRAM 97 2GR
75016055	PULSANTIERA PROGRAM/VIP PLUS 3GR.	TOUCHPAD PROGRAM 97 3GR
75016056	PULSANTIERA PROGRAM/VIP PLUS 4GR.	TOUCHPAD PROGRAM 97 4GR
75030005	SERPENTINA SCALDATAZZE 2GR.	CUPWARMER STEAM PIPE 2 GR.
75030031	SERPENTINA SCALDATAZZE 3GR.	CUPWARMER STEAM PIPE 3 GR.
75030037	SERPENTINA SCALDATAZZE 4GR.	CUPWARMER STEAM PIPE 4 GR.
75030068	TUBO RAME SCAMB. M8	TUBE- HEAT EXCHANGE M8
75030210	MISCELATORE COMPLETO	WATER ECONOMIZER COMPLETE ASSEMBLY
75030301	TUBO RUB. VAP. SX/CALDAIA PROGRAM/VIP	TUBE-LEFT STEAM TAP TO BOILER
75030302	TUBO RUB. VAP. DX/CALDAIA PROGRAM/VIP	TUBE-RIGHT STEAM TAP TO BOILER
76000000	CROCIERA MAC/CUP V/PROGRAM VIP PLUS 2GR.	WELDED TUBES PROGRAM VIP/PLUS 2GR.
76000001	CROCIERA MAC/CUP V/PROGRAM VIP PLUS 3GR.	WELDED TUBES PROGRAM VIP/PLUS 3GR.
76000002	CROCIERA MAC/CUP V/PROGRAM VIP PLUS 4GR.	WELDED TUBES PROGRAM VIP/PLUS 4GR.
76000003	CROCIERA MAC/CUP S/PROG. ESSE 4GR. 2GR.	WELDED TUBES PROGRAM VIP/ESSE 2GR.
76000004	CROCIERA MAC/CUP S/PROG. ESSE 4GR. 3GR.	WELDED TUBES PROGRAM VIP/ESSE 3GR.
76000005	CROCIERA MAC/CUP S/PROG. ESSE 4GR. 4GR.	WELDED TUBES PROGRAM VIP/ESSE 4GR.
79000006	TUBO MANOMET./POMPA 75030014	TUBE- GAUGE TO PUMP
79000007	TUBO MANOMET./CALDAIA 75030200	TUBE- GAUGE TO BOILER
79000008	TUBO EV. SCALDAT./SCALDAT. 75030007	TUBE- CUPWARMER
79000009	TUBO CALDAIA/SCALDAT. 75030006	TUBE- CUPWARMER TO BOILER
79000010	TUBO GRUPPO/E.V. EROGAZIONE	TUBE- 1/4" GROUP HEAD TO ELECTROVALVE
79000011	TUBO DOSAT./SCAMBIATORE 1°GR.	TUBE-FLOWMETER /EXCANGER 1° GR.
79000012	TUBO DOSAT./SCAMBIATORE 2°GR.	TUBE-FLOWMETER /EXCANGER 2° GR.
79000013	TUBO DOSAT./SCAMBIATORE 3°GR.	TUBE-FLOWMETER /EXCANGER 3° GR.
79000014	TUBO DOSAT./SCAMBIATORE 4°GR.	TUBE-FLOWMETER /EXCANGER 4° GR.
79000015	SCARICO E.V. EROG. 1° GR. 75030141	1° GR. EXHAUST TUBE
79000016	SCARICO E.V. EROG. 2° GR. 75030140	2° GR. EXHAUST TUBE
79000017	SCARICO E.V. EROG. 3° GR.	3° GR. EXHAUST TUBE
79000018	SCARICO E.V. EROG. 4° GR.	4° GR. EXHAUST TUBE
79000019	TUBO CALDAIA/PRESSOSTATO	TUBE- BOILER TO PRESSOSTAT
79000020	TUBO SCAR. V. COND. 2GR. 75030021	2 GR. CONDEN. DESCHARGE TUBE
79000021	TUBO SCAR. V. COND. 3GR.	3 GR. CONDEN. DESCHARGE TUBE
79000022	TUBO SCAR. V. COND. 4GR.	4 GR. CONDEN. DESCHARGE TUBE
79000023	TUBO GRUPPO IDRAULICO 8x50	TUBE- 1/4" STRAIGHT F-F M8X50
79000024	TUBO T RUBINETTO/VASCH. SCARICO	TUBE- 1/4" CURVED F-F M8
79000025	TUBO POMPANTE/VALVOLA RITEGNO	TUBE- 1/4" CUSTOM BEND F-F M8
79000030	TUBO CARICO CALDAIA	TUBE- FILLING BOILER
79000031	TUBO CALDAIA/LIV. INFERIORE	TUBE- LOWER LEVEL TO BOILER
79000032	TUBO CALDAIA/LIV. SUPERIORE	TUBE- UPPER LEVEL TO BOILER
79000033	TUBO SCAMBIAT. INF./GRUPPO	TUBE- LOWER EXCANGER TO GROUP
79000034	TUBO SCAMBIAT. SUP./GRUPPO	TUBE- UPPER EXCANGER TO GROUP
79000035	SCARICO POZZETTO 75030013	DRAIN TUBE
79000036	TUBO VALV. SICUREZZA/CALDAIA	TUBE- SAFETY VALVE TO BOILER
79000051	TUBO COLL. CALDAIA/MISCELATORE	TUBE- BOILER TO MIXER
79004010	GRUPPO MAC CUP DX ASSEMBLATO	GROUP HEAD ASSEMBLY COMPLETE RIGHT SIDE
79004011	GRUPPO MAC CUP SX ASSEMBLATO	GROUP HEAD ASSEMBLY COMPLETE LEFT SIDE
79004012	GRUPPO EROG. MAC CUP CROMATO	GROUP HEAD- CHROMED BRASS MAC/PROG
79007001	EROGATORE ACQUA CALDA	HOT WATER DELIVERY ASSEMBLY COMPLETE

PROGRAMMI VIP	CODICE	DESCRIZIONE	DESCRIPTION
	79030005	GRUPPO IDRAULICO MAC CUP/PROGRAM VIP	HYDRAULIC GROUP COMPLETE MAC96/PRO:97
	79030020	CALDAIA COMPLETA MAC CUP/PROG. VIP 2GR.	COMPLETE BOILER PROGRAM VIP 2 GR.
	79030021	CALDAIA COMPLETA MAC CUP/PROG. VIP 3GR.	COMPLETE BOILER PROGRAM VIP 3 GR.
	79030022	CALDAIA COMPLETA MAC CUP/PROG. VIP 4GR.	COMPLETE BOILER PROGRAM VIP 4 GR.
	79030023	CALDAIA 2 GR. NICHELATA	BOILER PROGRAM VIP 2 GR.
	79030025	CALDAIA 3 GR. NICHELATA	BOILER PROGRAM VIP 3 GR.
	79030027	CALDAIA 4 GR. NICHELATA	BOILER PROGRAM VIP 4 GR.
	79030030	SCAMBIATORE CALORE 1/2" CON OR	HEAT EXCHANGE COMPLETE ASSEMBLY 1/2"
	80007005	LANCIA ACQUA CALDA INOX COMP.	HOT WATER PIPE STAINLESS STEEL
	98001001	PIEDE MACCCHINA	FOOT
	98003016	VALVOLA RITEGNO	RETAINING VALVE COMPLETE
	98003017	PISTONCINO VALV. RITEGNO COMP.	PISTON SEALCOMPLETE- RETAINING VALVE
	98004000	PADIGLIONE GRUPPO PROGRAM./MAC	GROUP HEAD CAP BRASS- MAC/PROG
	98004001	FILTRO INOX DIAM. 8	FILTER SCREEN INOX M8
	98004016	FILTRO INOX DIAM. 12	FILTER SCREEN INOX M12
	98005001	CORPO PORTAFILTRO BAR CROMATO	CHROMED FILTERHOLDER
	98005006	PORTAFILTRO ASSEMBLATO	COMPLETE FILTERHOLDER
	98008004	PISTONCINO CHIUSURA COMPLETO	PISTON SEAL COMPLETE- STEAM VALVE
	98011000	PROGRAMESSA CAFFÈ ALLUMINIO	COFFEE PRESS- ALUMINUM
	98012002	PISTONCINO VALV. NEPLAX COMP.	PISTON SEAL COMPLETE- EXPANSION VALVE
	98013000	VALVOLA DI SICUREZZA COLL. I.S.PE.S.L.	SAFETY VALVE I.S.PE.S.L.
	98013001	VALVOLA DI SICUREZZA COMPLETA	SAFETY VALVE COMPLETE
	98019008	BRUCIATORE GAS MAC CUP/PROGRAM VIP 2GR.	GAS BURNER- MAC CUP/PROGRAM97 2GR
	98019009	BRUCIATORE GAS MAC CUP/PROGRAM VIP 3GR.	GAS BURNER- MAC CUP/PROGRAM97 3GR
	98019010	BRUCIATORE GAS MAC CUP/PROGRAM VIP 4GR.	GAS BURNER- MAC CUP/PROGRAM97 4GR